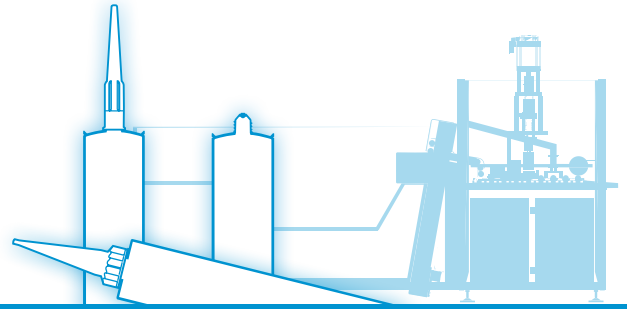
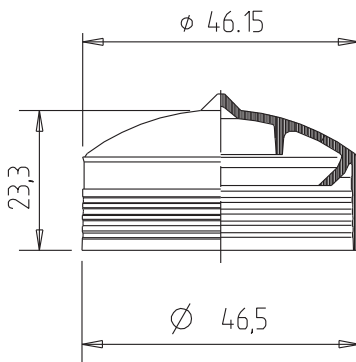


Plungers



Type K 01



Plunger for HDPE standard cartridges.

As a standard plunger, it is suitable for most sealants and for machine handling.

The domed plunger floor makes it possible to operate the plunger without creating air pockets. Lips angled inwards cause the plunger to become enlarged when dispensing.

This ensures that the cartridge is properly emptied, even with viscous materials. Mechanical and pneumatic dispensing devices can be used for dispensing.

TECHNICAL SPECIFICATIONS

Material:	HDPE
Wall thickness:	1,3 mm
Weight:	5,7 g
Packaging unit:	1500 pieces/box

Technical changes reserved.



Fischbach KG
51766 Engelskirchen, Germany
Telefon: +49 (0) 2263 6090
Telefax: +49 (0) 2263 60358
info@fischbach-fi.com

Fischbach Korea Co., Ltd.
Songpa-Gu, Seoul, Korea
Telefon: +82 2 425 3092
Telefax: +82 2 425 3191
korea@fischbach-fi.com

Fischbach Ibérica, S.A.
17410 Sils (Girona), Spain
Telefon: +34-972-16 84 87
Telefax: +34-972-16 83 24
spain@fischbach-fi.com

Fischbach (Shanghai) Co., Ltd.
Shanghai, China 201708
Telefon: +86-21-6979-1423
Telefax: +86-21-6979-1426
china@fischbach-fi.com

Fischbach Belgium N.V.
9140 Temse, Belgium
Telefon: +32-3-710 96 20
Telefax: +32-3-710 96 31
belgium@fischbach-fi.com

Fischbach U.K. Ltd.
Cheshire WA7 1SN, Great Britain
Telefon: +44-1928-579320
Telefax: +44-1928-579403
uk@fischbach-fi.com

Fischbach USA Inc.
 Elizabethtown, Kentucky, 42701 USA
Telefon: +1-270-7 69 93 33
Telefax: +1-270-7 69 96 23
usa@fischbach-fi.com